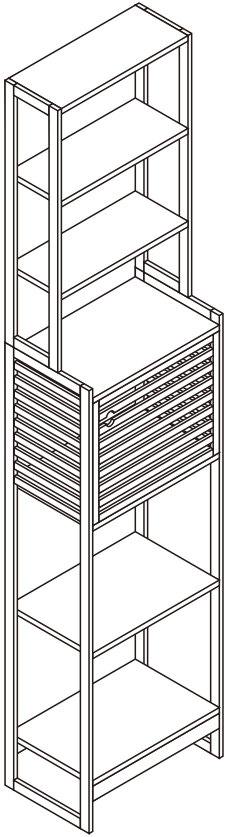


# SELENE TYP 4



A



x36

B



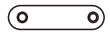
x2

C



x1

D



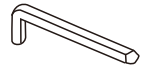
x1

E



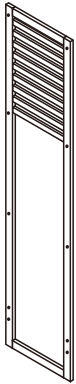
x4

F



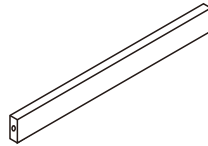
x1

a



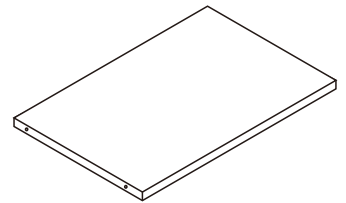
x2

b



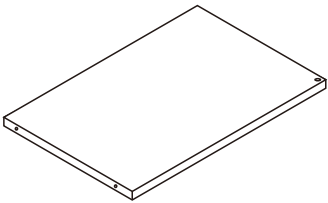
x2

c



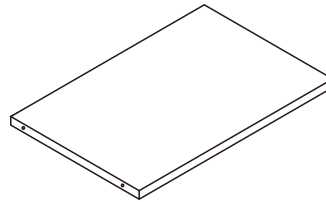
x2

d



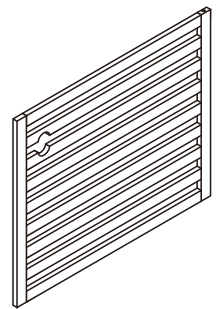
x1

e



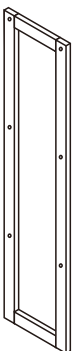
x1

f



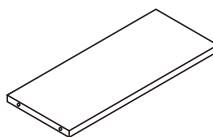
x1

g



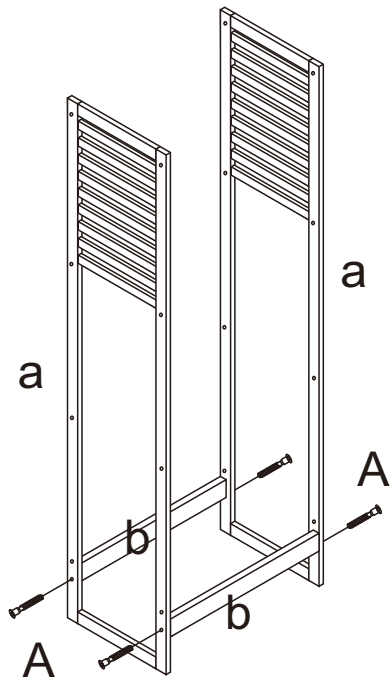
x2

h

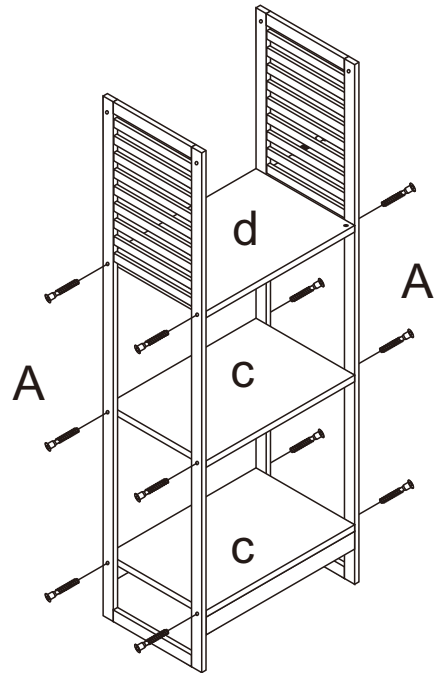


x3

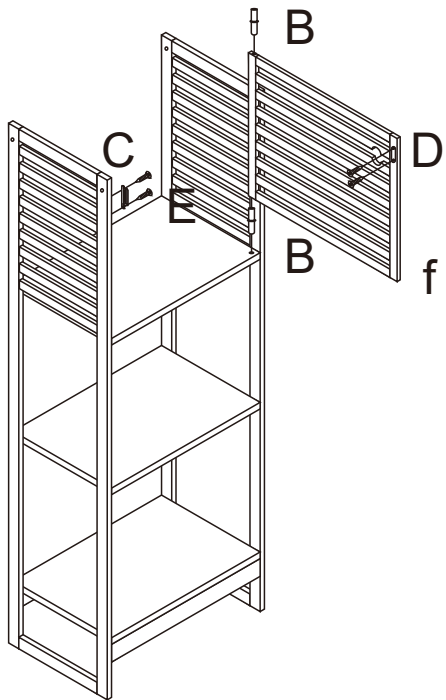
1



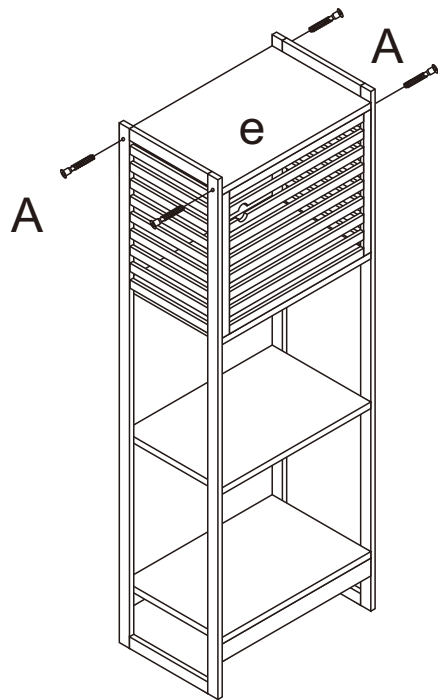
2



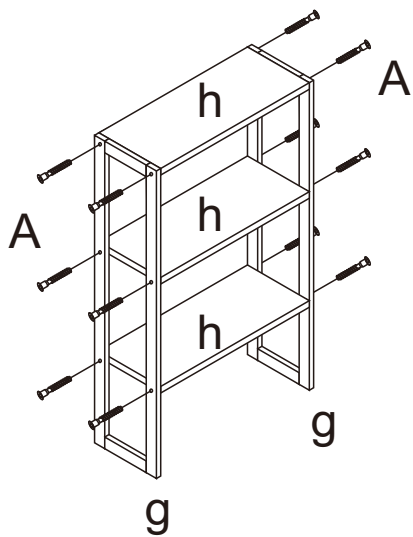
3



4



5



6

